

## SIP-W52P

Up to 5 VoIP accounts and 4 simultaneous calls

Cat-iq2.0, HD Voice (G.722), PoE Class 1

Expandable up to 5 DECT cordless handsets

1.8" 128x160 TFT colour display

10 hours talk time, 100 hours standby time

Range up to 50m indoors and 300m outdoors



### Flexible cordless VoIP solution for small business

Yealink IP DECT SIP-W52P is a SIP Cordless Phone that's designed for small business users who are looking for immediate cost savings with scalability and efficiency.

The high-quality TFT colour display provides a clear view from all angles and the high definition speakerphone ensures clear handsfree communication. The SIP-W52P supports 4 simultaneous calls per base and offers professional features including intercom, transfer, 3-way conferencing and speed dial.

It also works with well known brand platforms including Broadsoft, Asterisk and 3CX and supports quick and easy configuration.

# SIP-W52P

## Phone Features

5 VoIP accounts , up to 5 handsets  
 Supports 4 simultaneous calls per base station  
 Call hold,Call transfer (Blind/Attend/Semi-Attend)  
 Divert,Switching between calls  
 3-way conference,Call waiting  
 Caller ID display, Redial, Mute, DND  
 Call forward (Always/Busy/No Answer)  
 Speed dial, Voicemail, Silence  
 Message Waiting Indication (MWI) LED  
 Phonebook:500 entries, Black list  
 Call history(Outgoing/Missed/Accepted)  
 Phonebook search / import / export  
 Keypad lock, Emergency call  
 6 Ringtones  
 Energy-saving ECO mode  
 Screen Saver, Two colour schemes  
 Multiple languages

## Advanced Features

Remote phonebook  
 Direct IP call without SIP proxy

## IP PBX System Integration

Music on hold,Dial now,Call return  
 Paging, Intercom ,Auto answer  
 Anonymous call, Anonymous call rejection  
 Dial Plan ,Emergency call

## Management

Unified Auto provisioning template  
 Auto-provision via FTP / TFTP / HTTP / HTTPS  
 Auto-provision with PnP  
 Configuration: browser / phone / auto-provision  
 Factory configuration customized  
 Trace package and system log export

## Voice and Codecs Features

Full-duplex speakerphone with AEC  
 Receiver volume control  
 Ring tone selection  
 Ringer volume  
 Key sounds – click, DTMF and special tones  
 Wideband codec: G.722  
 Narrowband codec: G.711 $\mu$ A, G.723, G.726, G.729AB, iLBC  
 VAD, CNG, AEC, PLC, AJB

## Network Features

SIP v1 (RFC2543), v2 (RFC3261)  
 SNTP/NTP  
 VLAN(802.1Q and 802.1P)  
 STUN Client (NAT Traversal)  
 DTMF: In-Band, RFC2833, SIP Info  
 UDP,TCP,TLS  
 IP Assignment: Static/DHCP/PPPoE  
 802.1x, LLDP, PPPoE  
 Open VPN

## Security

VLAN QoS (802.1pq)  
 Transport Layer Security (TLS)  
 HTTPS (server / client)  
 SRTP (RFC3711)  
 Digest authentication using MD5  
 Secure configuration file via AES encryption  
 Admin / Var / User 3-level configuration mode  
 Password protection

## Connectors

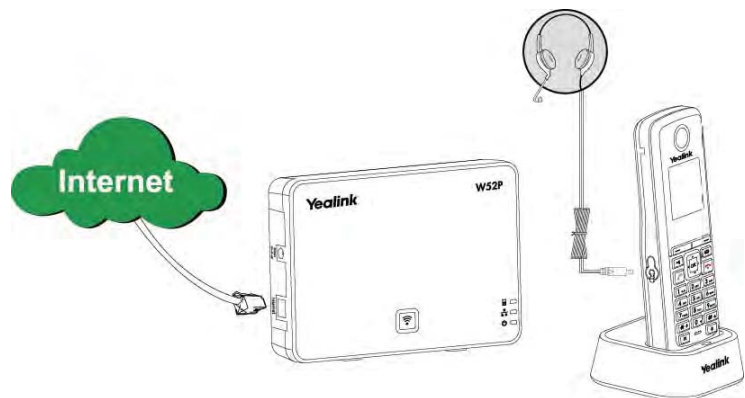
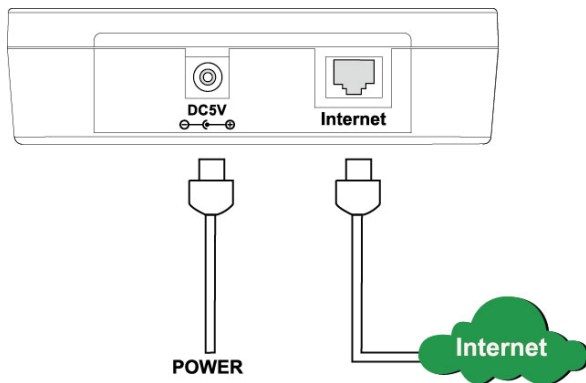
DECT/Cat-iq2.0  
 1 x RJ45 10/100M Ethernet port  
 Power over Ethernet (IEEE 802.3af)  
 Headphone jack (2.5 mm)

## Physical Features

1 x Handset, 1 x Base, 1 x Belt Clip, 1 x Cable, 2 x Guide  
 Range: 50m indoor, 300m outdoor  
 Coverage be extended using repeaters (Pending)  
 10 hours talk time , 100 hours standby time  
 1.8" TFT colour display: 128x160 pixels, LCD backlight, Key backlight  
 12 key numerical keypad, 5 navigation keys  
 2 softkeys, 2 hook keys, 1 Mute key  
 1 speaker key, 1 Message key

3 LEDs on Base: 1 x power, 1 x Network, 1 x Call  
 Base station: DC 5V / 600mA Output  
 Charger: DC 5V / 600mA Output  
 2 x Ni-MH AAA :1.2V/800mA  
 Phone size: 144mm x 50mm x 24mm  
 Base station size: 153mm x 108mm x 45mm  
 Operating humidity: 10~95%

## Certifications



**Yealink**  
 EASY VoIP